

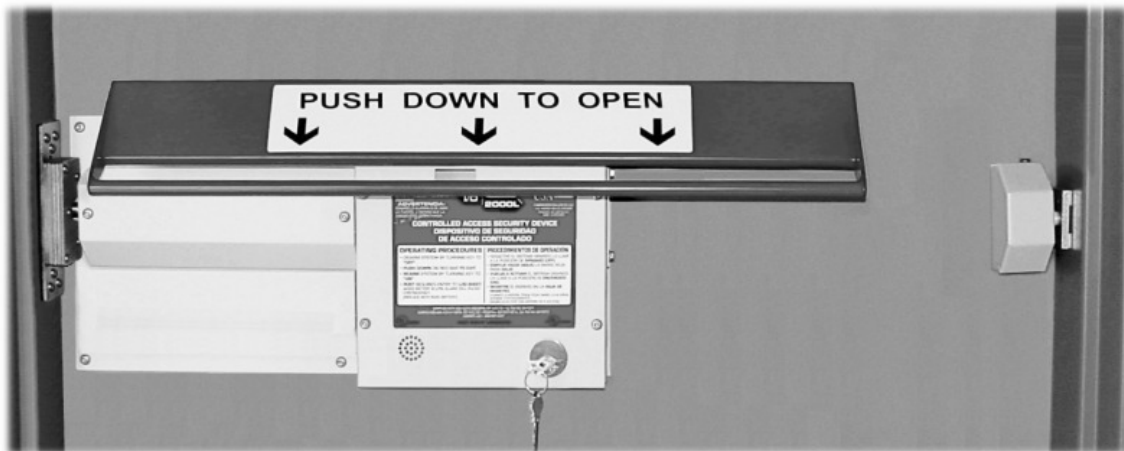
LOCKNET[®]

Security Products & Services...That Never Sleep

Sur-Lock[™]

I/O 2000L Family of Exit Control Alarm Locks

Installation Instructions



IMPORTANT

It is important that you read and follow these instructions carefully. If you are encountering difficulty installing your new Sur-Lock[™] or are having trouble understanding any part of these instructions, please stop immediately and consult your dealer. Your satisfaction and your safety is important to us and we have made every effort to see that these instructions are clear and accurate.



305 Panic Hardware
U.S. Patent No. 5,410,900

©2007 LockNet, LLC
LockNet is a registered trademark of LockNet, LLC
Sur-Lock is a trademark of LockNet, LLC

TABLE OF CONTENTS

INSTALLATION INSTRUCTIONS.....	PAGE 3
APPENDIX A: CHANGING THE HAND.....	PAGE 13
APPENDIX B: EXPLODED INSTALLATION DIAGRAM.....	PAGE 15
APPENDIX C: REPLACEMENT PART ORDERING GUIDE.....	PAGE 16

IMPORTANT

The Sur-Lock is preset during manufacturing to meet specified code compliance. Any alteration or re-adjustment of internal operational components other than what is described in this manual may void all code compliance and its warranty.

LIMITED WARRANTY

LockNet, LLC warrants the Sur-Lock family of exit devices to be free from defects in materials or workmanship for a period of five (5) years from the date of shipment from LockNet. This warranty does not cover products that are (i) used inappropriately for the application; (ii) are not installed in accordance with LockNet's published instructions; (iii) are installed with improper or incorrect parts or accessories; (iv) have been, in LockNet's opinion, modified, repaired, or altered in any way without LockNet's expressed written consent; (v) are used for purposes for which they were not designed or intended; or (vi) are subjected to misuse, abuse, negligence, or accident. The following costs are not covered by this limited warranty: (i) labor costs for the removal and reinstallation of the products; (ii) shipping and freight expenses required to return products to LockNet; (iii) normal maintenance; and (iv) economic losses. LockNet will replace the products which, in LockNet's opinion, are found to be defective, provided LockNet has been notified in advance and said products are returned to LockNet, Attn: Warranty, 800 John Watts Drive, Nicholasville, KY 40356. LOCKNET SHALL IN NO EVENT BE LIABLE FOR INCIDENTAL, CONSEQUENTIAL, INDIRECT, SPECIAL, OR PUNITIVE DAMAGES FOR ANY CLAIM WHETHER BASED ON CONTRACT, WARRANTY, TORT (INCLUDING, BUT NOT LIMITED TO, STRICT LIABILITY OR NEGLIGENCE), PATENT INFRINGEMENT, OR OTHERWISE, EVEN IF ADVISED OF THE POSSIBILITY OF SUCH DAMAGES.

This limited warranty supersedes all other warranties. Other than those warranties expressly made above, LockNet, LLC makes no warranty or representation to the end user, installer, contractor, reseller, OEM, dealer or any third party as to the performance or operation of any of LockNet's products or services. Any other expressed or implied warranties including, but not limited to, merchantability and fitness to a particular purpose, are hereby excluded. LockNet's liability, if any, will be limited to the actual price paid by the customer for the product and will in no event include consequential, incidental, indirect, special or other damages of any kind, even if LockNet, LLC has been notified of the likelihood of such damages occurring. LockNet, LLC neither assumes, nor authorizes any other person or entity to assume for it, any other warranty concerning its products.

Sur-Lock™ Installation Instructions

TOOLS NEEDED

- Tape Measure
- Level
- Pen/Marker
- 1/2" Electric Drill
- 9/16" Drill Bit with 1/2" shank
- 1/8" Pilot Drill Bit
- 1/4" Drill Bit
- 3/8" & 7/16" Open-End Wrench
- Torx T25 Security Bit (Supplied)
- 7/16" Deep Socket
- 5/16" Wrench
- Pliers

NOTE ON CHANGING THE HAND

The Sur-Lock is designed to be used in both left-hand reverse and right-hand reverse applications. It is shipped pre-configured for left-hand reverse use. See Appendix A for instructions on reversing the hand.

Please read and understand all instructions before installing the Sur-lock to any door.

1. The door should be flush and free of any lock hardware. Patch and repair the door as required before proceeding. The door should open and close easily.
2. With the door closed, make a mark on the inside surface of the door 41" up from the finished floor. This mark will locate the top edge of the inside Mounting Plate.
3. Keeping the door closed, place the inside mounting plate against the inside surface of the door - aligning so that the top edge of the mounting plate is even with the mark made in the previous step and the jamb-side edge is even with the stop on the door jamb. (See Figure 1)

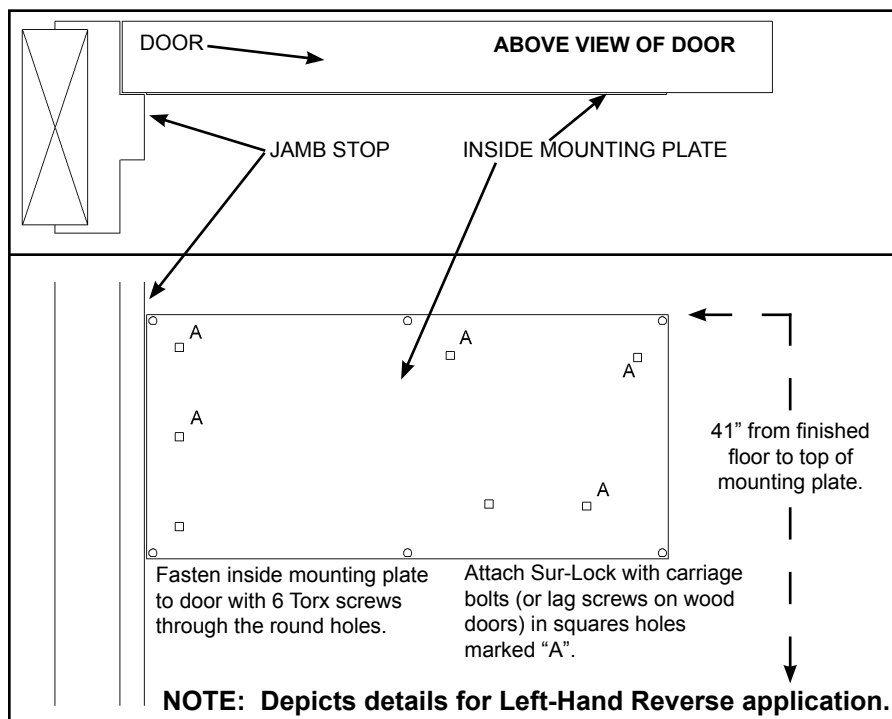


FIGURE 1

Sur-Lock™ Installation Instructions

For Solid-Core Wood Doors proceed to **Step 5**, otherwise for Hollow Metal Doors continue.

4. Attach the outside mounting plate by repeating steps 2 & 3. The outside mounting plate must align with the inside mounting plate - transfer your measurements from the inside mounting plate carefully. (See Figure 2) Secure the outside mounting plate with the six (6) self-drilling torx screws.

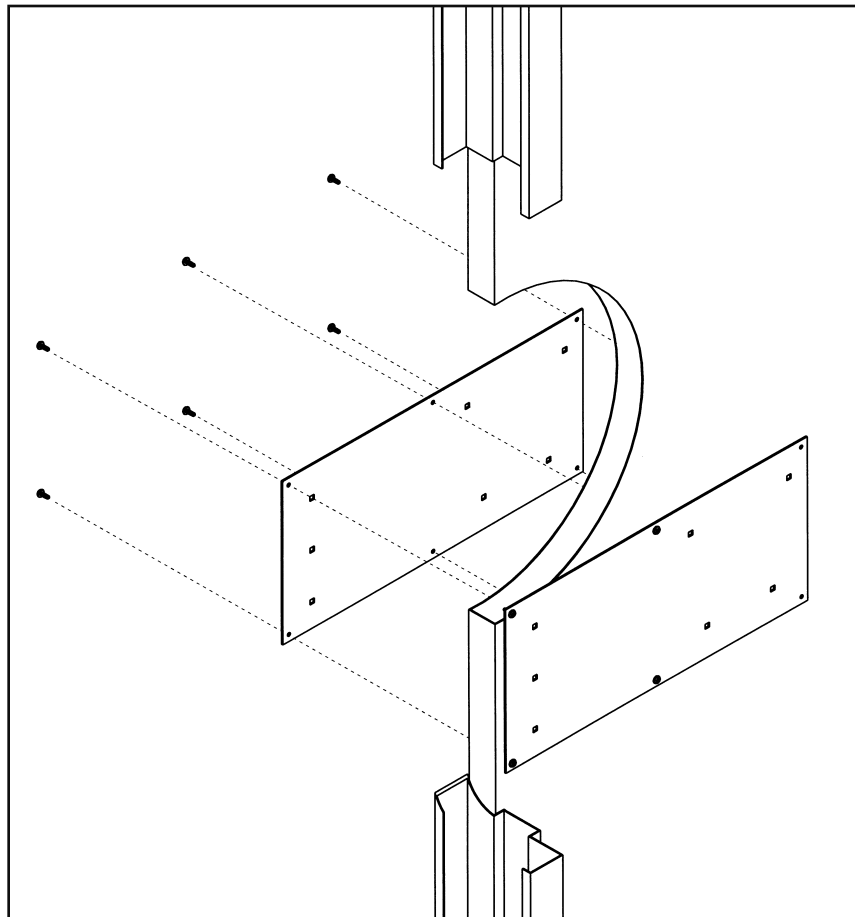


FIGURE 2

Sur-Lock™ Installation Instructions

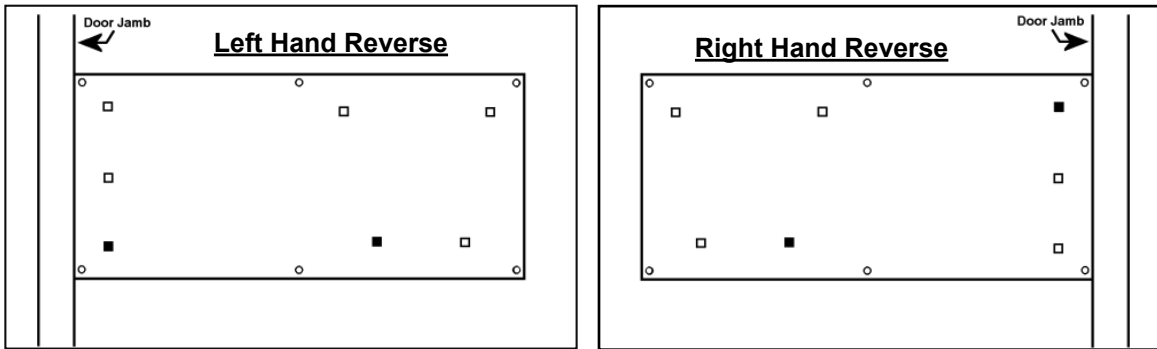


FIGURE 3

Do not use darkened holes.

To change the hand of the device, see Appendix A

5. Using the square holes in the inside mounting plate as guides, drill five (5) holes into the door (See Figure 3):

For Solid-Core Wood Doors

DO NOT DRILL ENTIRELY THROUGH THE DOOR!

Drill 5/32" holes 1-1/2" deep into the inside door surface.

For Hollow Metal Doors

Drill 1/4" holes entirely through the door. The holes must be straight so that your drill bit exits the opposite surface of the door through the matching square hole on the outside mounting plate.

Sur-Lock™ Installation Instructions

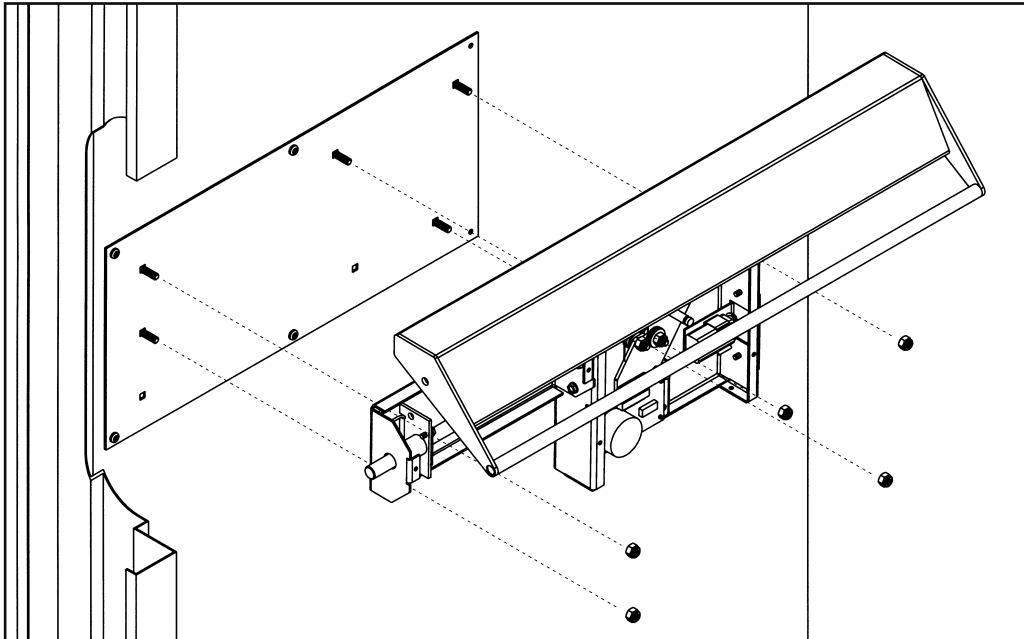


FIGURE 4 - HOLLOW METAL INSTALLATION SHOWN

6. Mount the Sur-Lock to the inside surface of the door. (See Figure 4)

For Solid-Core Wood Doors

Discard the carriage bolts and use five (5) #14 1-1/2" lag screws to fasten the Sur-Lock to the inside door surface.

For Hollow Metal Doors

Attach the Sur-Lock using the five (5) carriage bolts and lock nuts supplied. The heads of the carriage bolts must be on the outside door surface and the lock nuts must be on the inside.

DO NOT OVER-TIGHTEN THE LOCK NUTS ONTO THE CARRIAGE BOLTS AS DOOR WARPING MAY OCCUR.

Sur-Lock™ Installation Instructions

7. Keeping the door closed, check the distance between the end of the lock bolt and the door jamb stop. To ensure the maximum extension into the latch (installed later), the end of the lock bolt should just clear the jamb stop - the clearance should be approximately 1/16" but no more than 1/8". If necessary, adjust the extension of the lock bolt rod by loosening the jamb nut at the opposite end of the lock bolt rod - inside the Sur-Lock housing - and rotate the lock bolt rod as needed to obtain the proper clearance. Tighten the jamb nut securely! (See Figure 5)

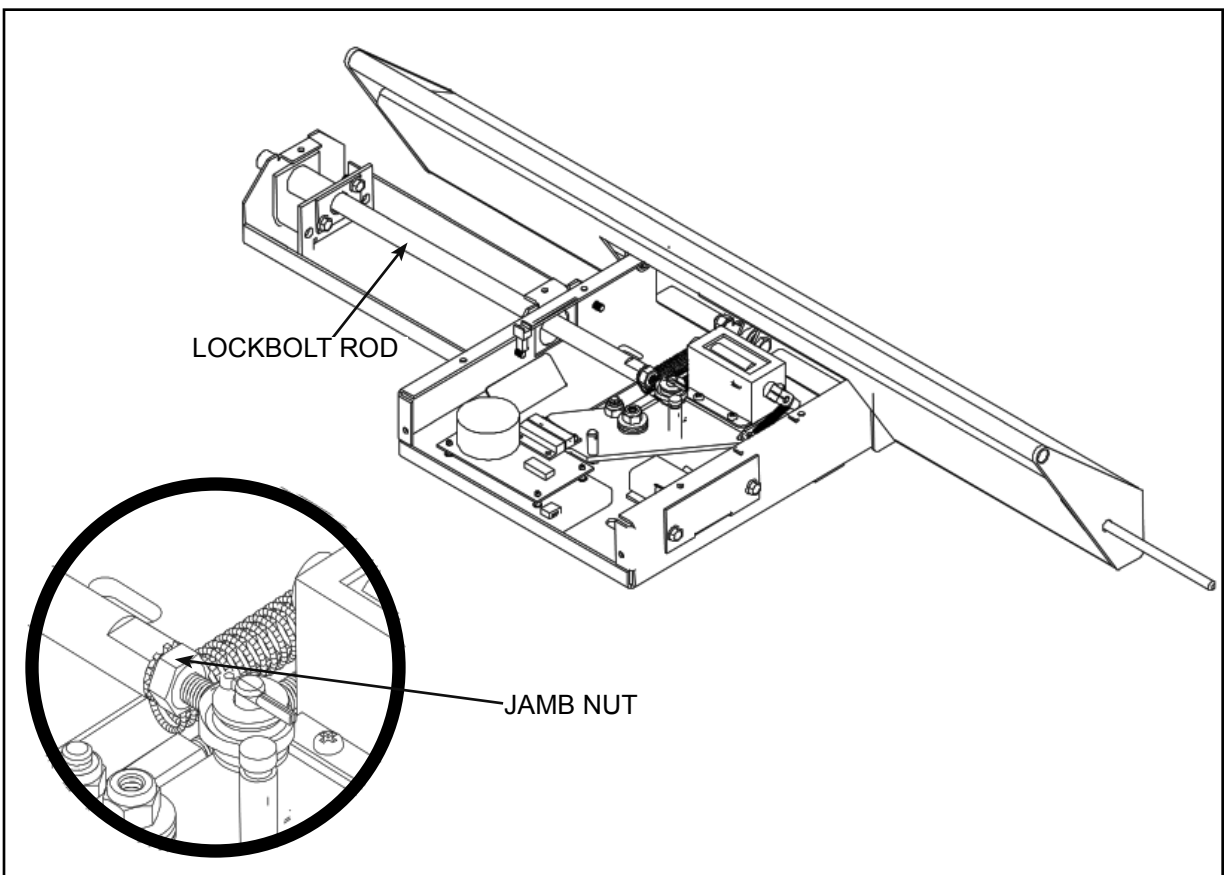


FIGURE 5

Sur-Lock™ Installation Instructions

8. With the door closed, slide the latch over the lock bolt rod, making sure it latches. Mark around the outside of the latch and open the door. Remove the paper backing from the adhesive tape on the back of the latch and temporarily affix it to the jamb stop - aligning with the marks. Fasten the latch to the jamb stop with two (2) self-drilling torx screws through the two (2) slotted holes in the latch. (See Figure 6) Verify that the lock bolt fully latches into the latch and extends fully. If necessary, make additional adjustments by loosening the two (2) self-drilling torx screws and moving the latch. Make sure the door closes and locks smoothly and securely. Tighten the two (2) self-drilling torx screws. Once you are satisfied with the adjustments, secure the latch to the jamb stop with the remaining four (4) self-drilling torx screws.

DOOR CLOSER MAY REQUIRE ADJUSTING.

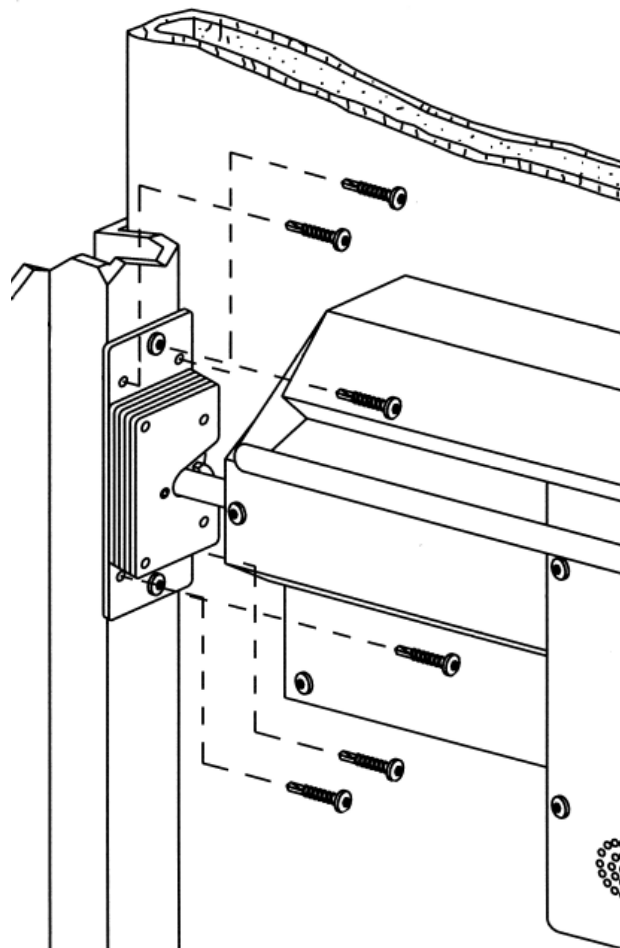


FIGURE 6

Sur-Lock™ Installation Instructions

9. With the door closed, measure 39-1/2" from the finished floor up the inside of the door and make a mark. Using the mark, align the hinge-side deadbolt template by folding and placing the solid line against the inside hinge-side of the door. Using a center punch, make two (2) center marks on the face of the door, and one (1) on the door jamb stop.

For Solid-Core Wood Doors

Drill two (2) holes in the door, making sure they are level. **DO NOT DRILL ALL THE WAY THROUGH THE DOOR!** Next drill a small pilot hole on the mark in the door jamb stop. Then drill a 9/16" hole using the pilot hole in the door jamb stop. Finally, discard the outside mounting plate and the supplied carriage bolts. Install deadbolt using two (2) #14 1-1/2" wood screws.

For Hollow Metal Doors

Drill two (2) holes in the door all the way through, making sure they are level. Then drill a small pilot hole on the mark in the door jamb stop. Then drill a 9/16" hole using the pilot hole in the door jamb stop. From the outside of the door, install the deadbolt mounting plate using two (2) supplied 1/4" carriage bolts by pushing through the plate and door. Install deadbolt on 1/4" carriage bolts on the inside and secure with locknuts. (See Figure 7)

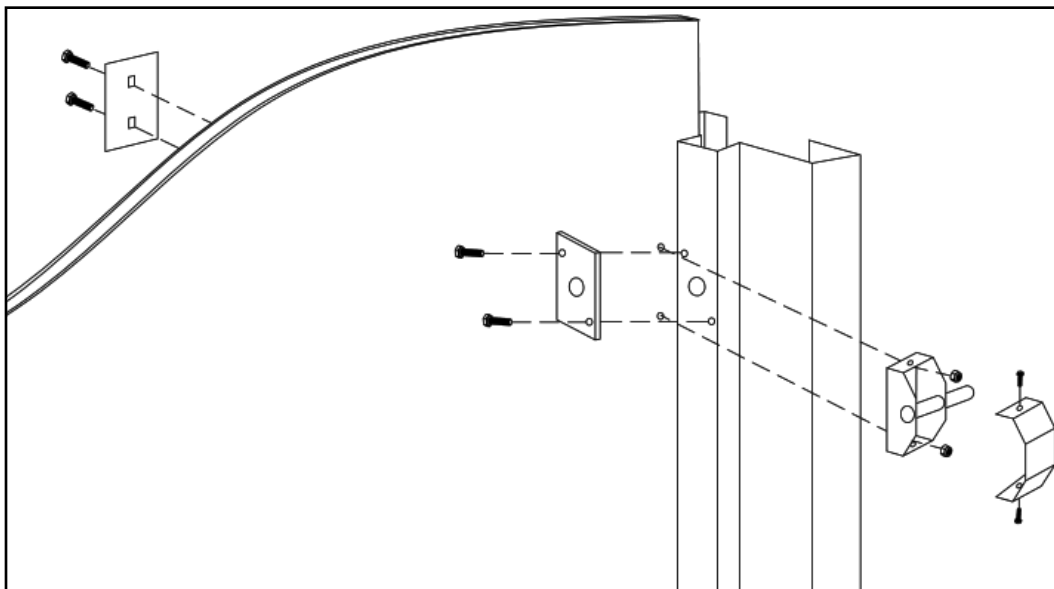


FIGURE 7
Hollow metal application shown

Sur-Lock™ Installation Instructions

10. Remove the backing paper from the bolt plate and align with the 9/16" hole on the door jamb. Temporarily hold in place with tape and check the alignment of the bolt plate and the hinge-side deadbolt by closing the door. Make sure the hinge-side deadbolt moves in and out of the hole freely. Then secure the bolt plate to jamb with two (2) self-drilling torx screws.

THE HINGE-SIDE DEADBOLT SHOULD EXTEND 1/2" INTO THE BOLT PLATE.

11. Once you have checked the alignment in the previous step, secure the lock bolt plate to the doorjamb with two (2) self-drilling torx screws. Finally, open and close the door making sure the door operates freely.
12. Install the 9 volt battery on the battery bracket assembly. (See Figure 8)



FIGURE 8

Sur-Lock™ Installation Instructions

13. Connect the wire from the switch on the inside of the alarm assembly cover to the circuit board. (See Figure 9)

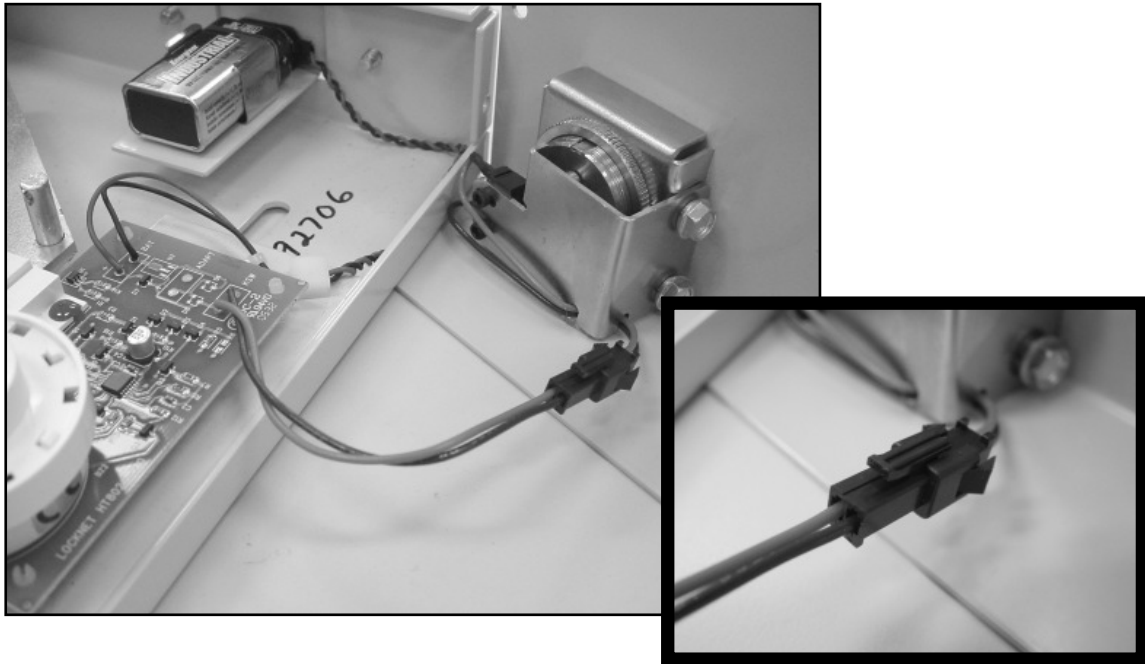


FIGURE 9

14. While holding cover plate in place, wait 15 to 20 seconds, then open door. The alarm will sound. The alarm will continue to sound until the key is turned to the off position. To do this, insert the key into the cylinder and turn counter-clockwise until the key stops. (See Figure 10) The alarm should cease.

On the Sur-Lock™, the alarm is set 15 to 20 seconds after the key is rotated back to the verticle position. The cylinder is key retaining.

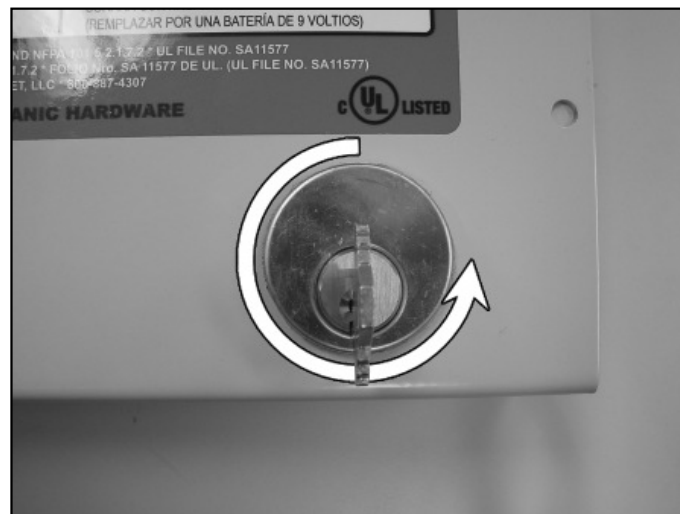


FIGURE 10

Sur-Lock™ Installation Instructions

15. Rotate the knob on the left side of the counter until the counter reads all zeroes.
(See Figure 11) After checking for complete proper device function, install all covers with self-drilling torx screws.

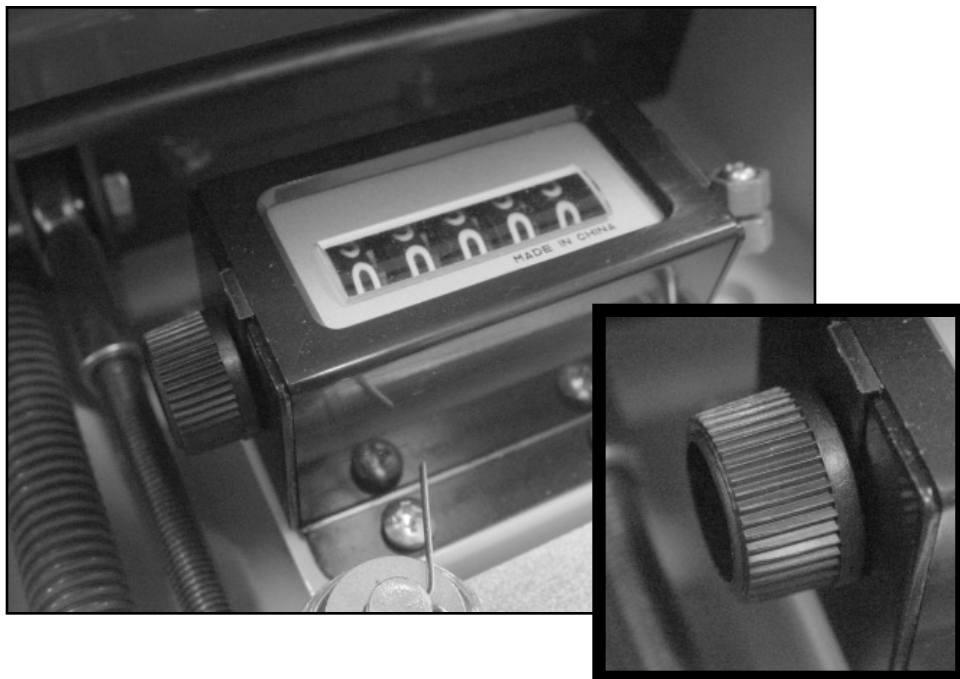
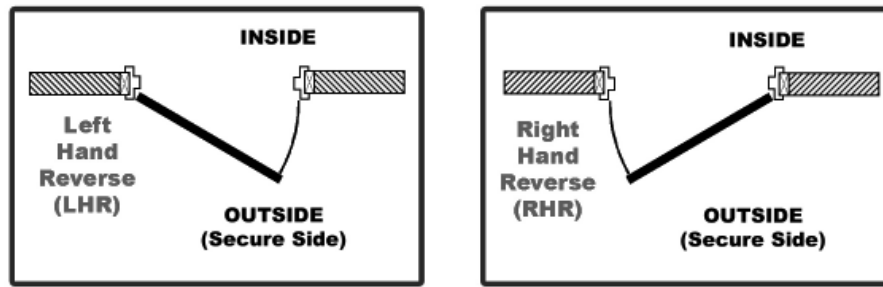


FIGURE 11

APPENDIX A: CHANGING THE HAND



DOOR HANDING DIAGRAM

A-1. Remove the Battery Bracket Assembly (held on with 2 screws) and the Lock Bolt Housing Assembly (held on with 2 screws). (See Figure A.1)

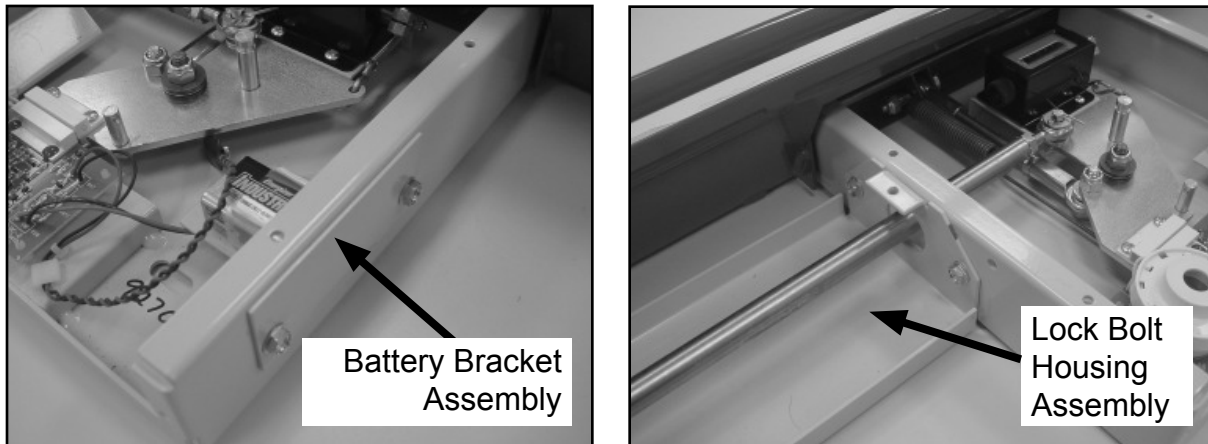


FIGURE A.1

A-2. Remove the Cotter Pin and Washers that secure the Lock Bolt Rod to the top post on the Pivot Plate. (See Figure A.2)

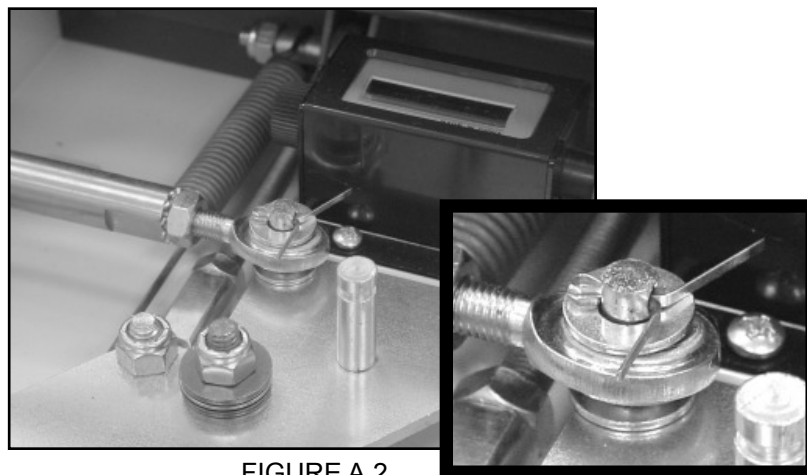


FIGURE A.2

APPENDIX A: CHANGING THE HAND

- A-3.** Remove the Lock Bolt Rod and reinstall it through the opening on the opposite side. Secure the lock bolt rod to the bottom post on the Pivot Plate using the Washers and Cotter Pin. (See Figure A.3)

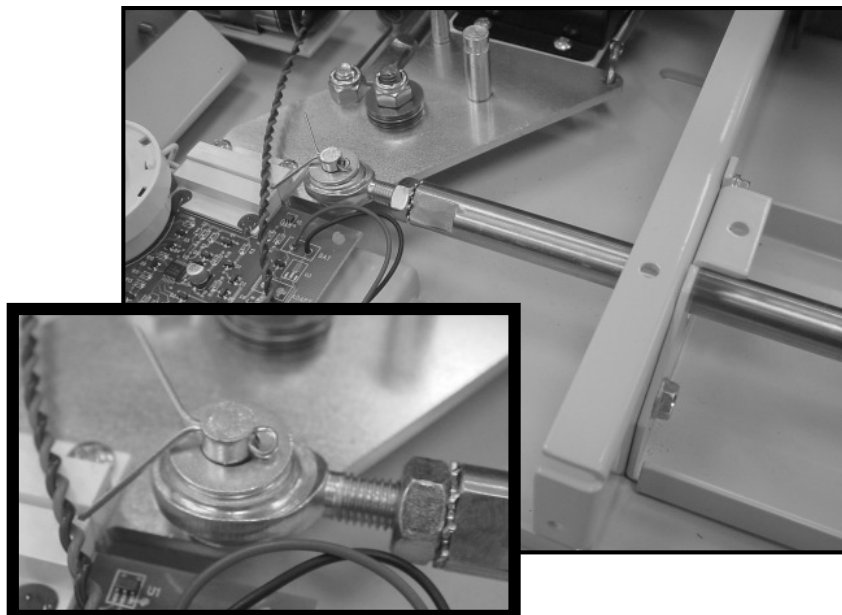


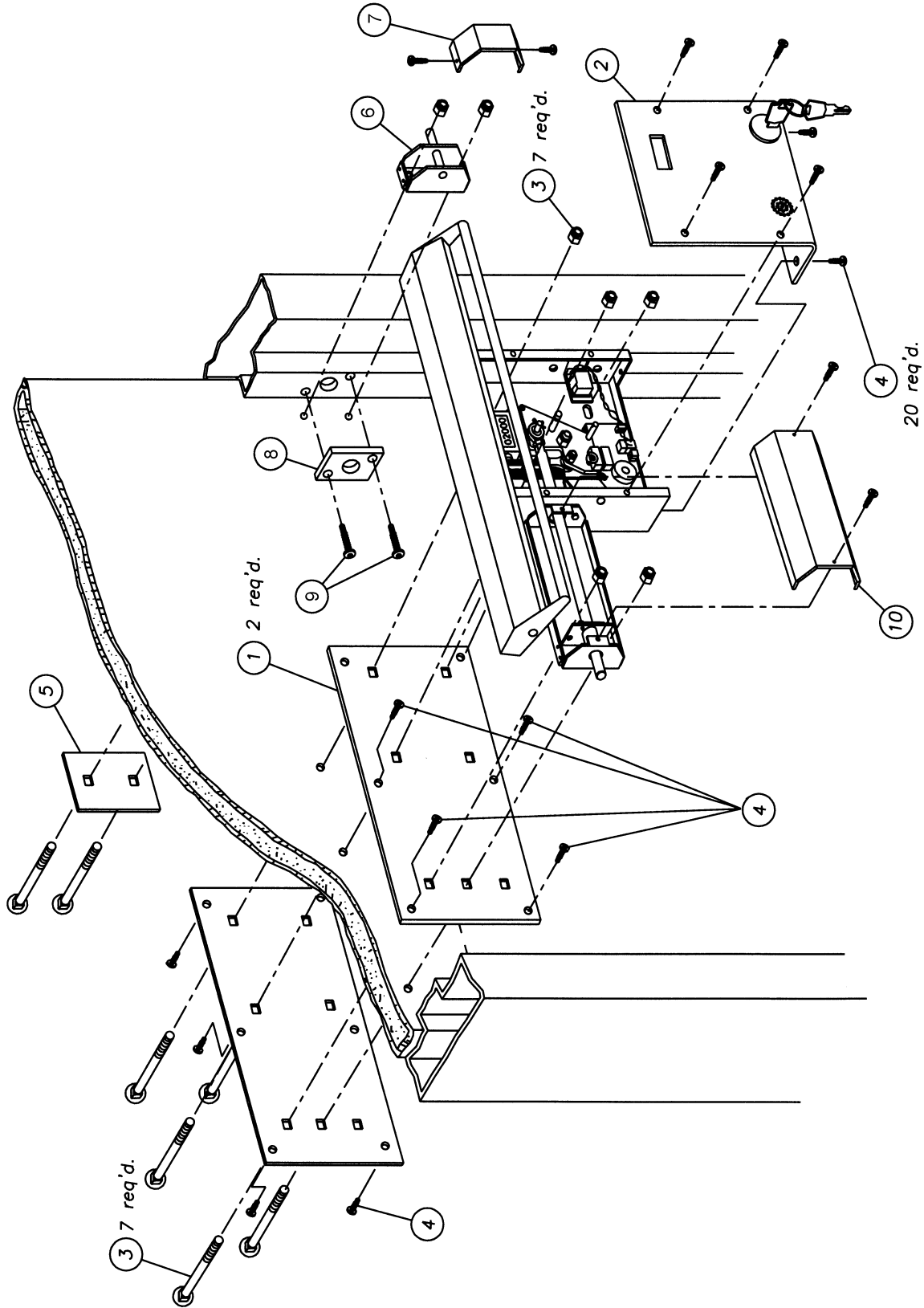
FIGURE A.3

- A-4.** Reinstall the Battery Bracket Assembly and the Lock Bolt Housing Assembly on the opposite side of the unit from where they were originally installed. (See Figure A.4)



FIGURE A.4

APPENDIX B: EXPLODED DIAGRAM



APPENDIX C: REPLACEMENT PART GUIDE

REPLACEMENT PART GUIDE

(As shown in Appendix B)

ITEM	QTY	LOCKNET PART NO.	DESCRIPTION
1	2	3005-01	Mounting Plate
2	1	2036-02, 2036-021C, 1046-01	Alarm Cover Assembly (<i>Varies Per Model</i>)
3	7	1010-01	Carriage Bolt: 1/4 - 20 X 2 1/2" Nylon Insert Lock Nuts: 1/4 - 20
4	20	1009-01	#10 X 1/2" Self-Drilling Torx Screw (<i>20/pkg.</i>)
5	1	3007-01	Bolt Mounting Plate
6	1	3109-01	Hinge-Side Deadbolt
7	1	3110-01	Deadbolt Cover
8	1	1006-01	Bolt Plate
9	2	1006-01	#10 3/4" Self-Drilling Torx Screw
10	1	3236-01	Lock Bolt Housing Cover

OTHER REPLACEMENT PARTS

(Not Pictured)

LOCKNET PART NO.	DESCRIPTION
1003-01	Limit Switch Bracket Assembly
1008-01	Latch Assembly Packaged (<i>Shown in Figure 6</i>)
1066-01	Packaged External Keyed Entry Package - I/O 2000L
1076-01	Kit, Double-Door Application
2004-01	Battery Bracket Assembly
3005-01	Mounting Plate Painted
7901-01	Emergency Exit/Warning Alarm 6" X 5.93 White Vinyl/Red Paint
8003-01	Nut, 1/4-20 Nylon Insert Locknut, Zinc Plated
8010-01	Counter 5-Digit
8018-01	Cotter Pin 1-1/6" Dia.: 3/4" L
8021-01	Standoff 1/4 Plastic
8022-02	Alarm Circuit Board Only
8026-02	Alarm Magnet
8400-01	Micro Switch and Cable Assembly
8401-01	Keyed Lock w/ 2 Keys X US3
8417-01	Screw, 10X1/2 Tork Security PH Slef Drilling S/M/S 410 STST
8421-01	Torx Tamper-Resistant Bit TR25 X 25
8424-01	Screw, 6-32X 1/4 Pan Phillips M/S Zinc

IF YOU NEED ASSISTANCE, CONTACT LOCKNET IMMEDIATELY AT

(800) 887-4307